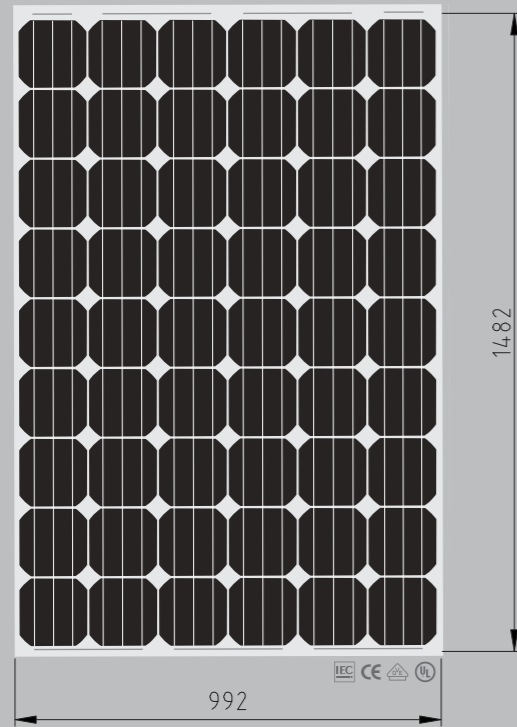


Mechanical Specifications

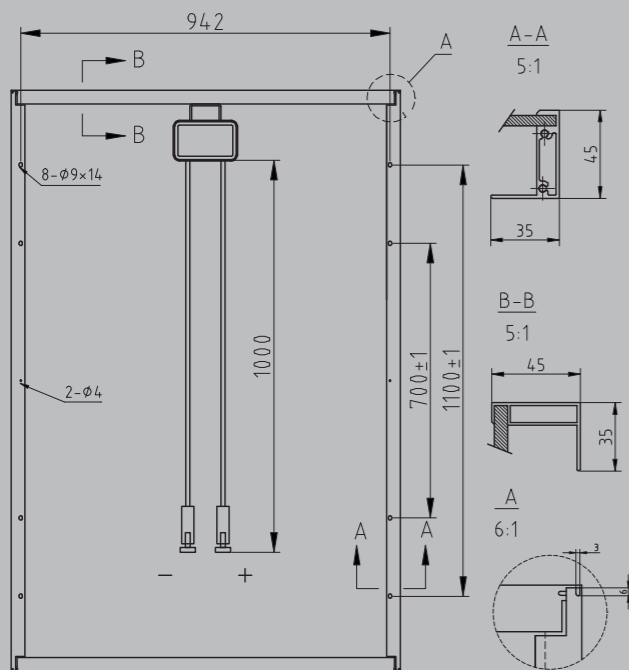


| Limits | |
|-------------------------------|---------|
| Tolerance | ±3% |
| Operating Temperature | -40~+85 |
| Mechanical Load | <5400pa |
| Maximum Series Fuse Rating | 15AMPS |
| Dielectric Insulation Voltage | 3000V |

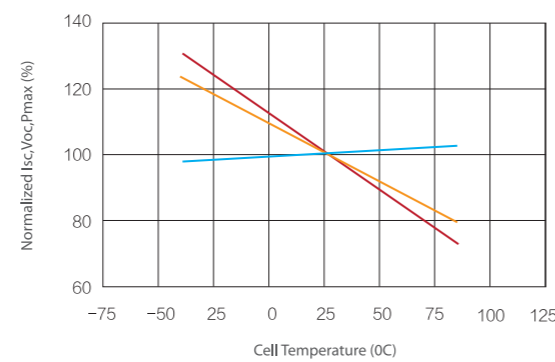
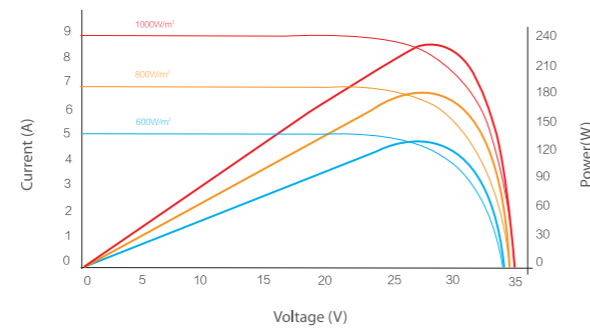
| Packaging Configuration | |
|-------------------------|--------------|
| Packaging Configuration | 22pcs/box |
| Quantity/Pallet | 44pcs/pallet |
| Loading | 660pcs/40ft |

| Temperature Coefficients | |
|---|-----------|
| Nominal Operating Cell Temperature NOCT | 47±2°C |
| Voc | -0.34%/°C |
| Isc | 0.09%/°C |
| Pmax | -0.37%/°C |

Module Diagram



I-V Curves



JHX xxxS54

Monocrystalline 156x156 Module

江苏核新太阳能电力有限公司
JIANGSU HOSUN SOLAR POWER CO.,LTD.

Mechanical Characteristics

| Certificates | TUV(IEC61215&Security Class II),CE |
|---------------------------------|--|
| Cell (mm) | 156x156 |
| Dimension (mm) | 1482x992x45 |
| No.of cells and connections | 54(6x9) |
| Weight (kg) | 17 |
| Cable Type,Diameter and Lengths | 4mm²,TUV certified,1000mm |
| Type of Connector | Compatible Type IV or Type 111 |
| Junction box | Ip65 |
| No.of Draining Holes in Frame | 10 |
| Glass,Type and Thickness | High Transmis,Low Iron,Tempered Glass3.2mm |
| Bypass-Diodes | 6 |

Electrical Characteristics

| Module | JHX xxxS54 | | | | | | | | | | |
|-----------------------------|-------------------------|--|------|------|------|------|------|------|------|------|--|
| Encapsulation | Glass/EVA/Cells/EVA/TPT | | | | | | | | | | |
| Maximum Power (Pmax) | W | 180 | 185 | 190 | 195 | 200 | 205 | 210 | 215 | 220 | |
| Power Tolerance | | ±3% | | | | | | | | | |
| Open Circuit Voltage (Voc) | V | 33.0 | 33.2 | 33.2 | 33.2 | 33.6 | 33.6 | 33.6 | 33.7 | 33.7 | |
| Short Circuit Current (Isc) | A | 7.71 | 7.78 | 7.84 | 8.02 | 8.10 | 8.24 | 8.33 | 8.34 | 8.35 | |
| Maximum Power Voltage (Vmp) | V | 26.0 | 26.2 | 26.2 | 26.2 | 26.2 | 26.3 | 26.4 | 27.0 | 27.5 | |
| Maximum Power Current (Imp) | A | 6.92 | 7.06 | 7.25 | 7.46 | 7.63 | 7.79 | 7.95 | 7.96 | 7.99 | |
| Max.system.Oper.voltage | V | 1000V | | | | | | | | | |
| Relative humidity | | 0 to 100% | | | | | | | | | |
| Resistances | | 227g steel ball fall down from 1m height and 60m/s wind | | | | | | | | | |
| Warranty | | Pm is not less than 90% in 10 years and 80% in 25years | | | | | | | | | |
| Maximum Reverse Current | | Do not apply external voltages larger than Voc to the module | | | | | | | | | |